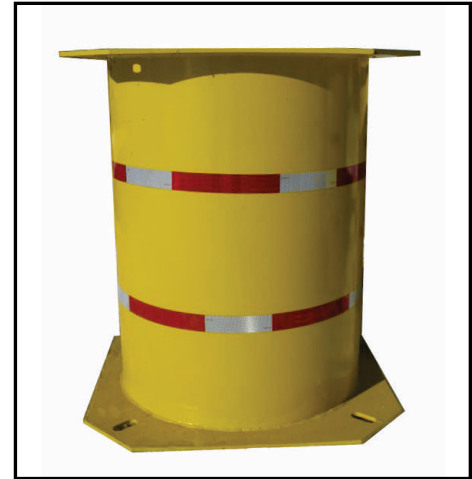


100 TON SUPPORT STANDS

Features

- Available in various heights
- Also suitable as Jacking Stands
- Can be stacked & bolted together for multiple height applications
- Equipped for lifting or handling by crane or forklift
- Custom fabrication available
- Stamped Engineered drawing provided

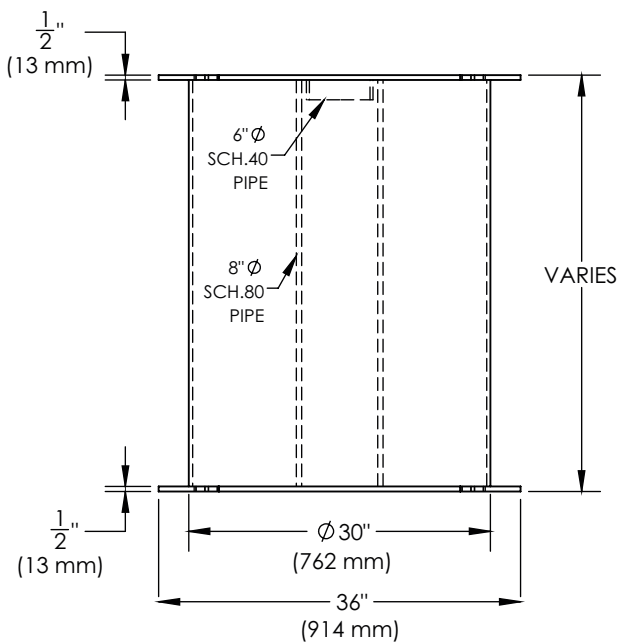


IMPERIAL (US)

L x W x H (in)	WEIGHT (lb)
36 x 36 x 18	560
36 x 36 x 24	645
36 x 36 x 30	730
36 x 36 x 36	815
36 x 36 x 42	900
36 x 36 x 48	985

METRIC

L x W x H (mm)	WEIGHT (kg)
914 x 914 x 457	254
914 x 914 x 610	293
914 x 914 x 914	331
914 x 914 x 914	370
914 x 914 x 1067	408
914 x 914 x 1219	447



Always follow Operating Manual Instructions and safe jacking practices.